

Selection Guide

5-PHASE STEPPING MOTOR DRIVER

Ordering information





KR - 55 MC

MC	1.4A/Phase
G	2.8A/Phase
5	77×45×32mm
55	105×74×38mm
505	215×150×62mm
KR	Series

MD 5 - M F 14

14	1.4A/Phase
F	100-240VAC
M	Micro Step
5	5 Phase
MD	Motor Driver

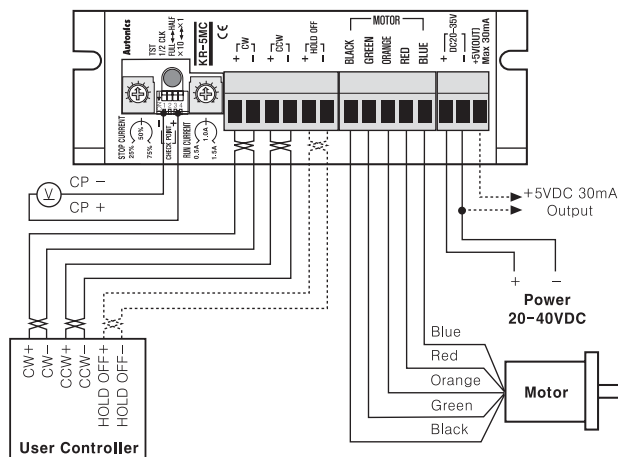
Specifications

Model	KR-5MC	KR-55MC	MD5-MF14	KR-505G
Appearances	 [W93×H32×L45mm]	 [W105×H38×L74mm]	 [W176×H130×L39mm]	 [W62×H150×L215mm]
Input power	20-35VDC (Max. rating) 3A		100-240VAC 50/60Hz (Max. rating) 330VA	100-115VAC 50/60Hz (Max. rating) 650VA
Drive current	1.4A / Phase (max)			2.8A / Phase (max)
Drive type	Bipolar constant current pentagon drive.			
Drive method	0.72° ~ 0.036° (Micro step) / 1Step [1, 2, 10, 20 division]	0.009° ~ 0.72° (Micro step) / 1Step [1, 2, 4, 5, 8, 10, 16, 20, 40, 80 division]		0.72° (Full Step), 0.36° (Half Step) / 1Step
Pulse width	5μs Min.	0.5μs Min.		5μs Min.
Pulse interval	5μs Min.	0.5μs Min.		5μs Min.
Rising/falling time	Max. 1μs			
Pulse frequency	280kpps	500kpps		50kpps
Pulse input voltage	High : 4-8VDC, Low : 0-0.5VDC			
Input resistance	390Ω (CW, CCW, HOLD OFF)	300Ω (CW, CCW) 390Ω (HOLD OFF, DIVISION SELECTION)	300Ω (CW, CCW) 390Ω (HOLD OFF, DIVISION SELECTION, CURRENT DOWN) 10Ω (ZERO OUT)	390Ω (CW, CCW, HOLD OFF) 10Ω (ZERO OUT)
Ambient temperature	0 ~ 40°C			
Unit weight	Approx. 120g	Approx. 240g	Approx. 750g	Approx. 1.7kg

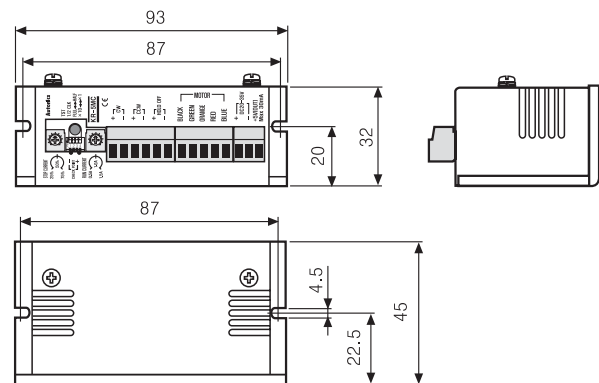
*When using over 30VDC, it should be mounted at ventilative place due to increasing heat.

Connections

○KR-5MC



Dimensions

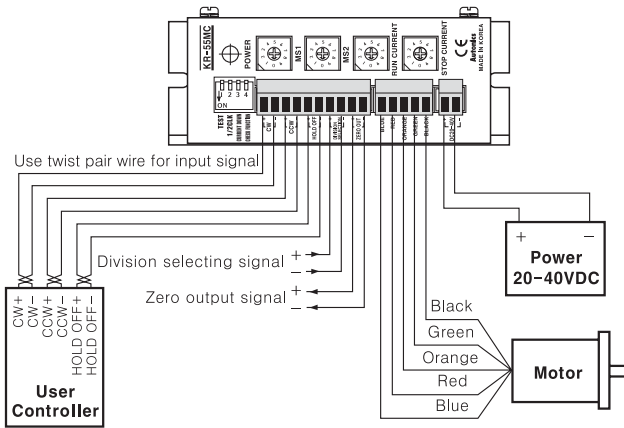


(Unit:mm)

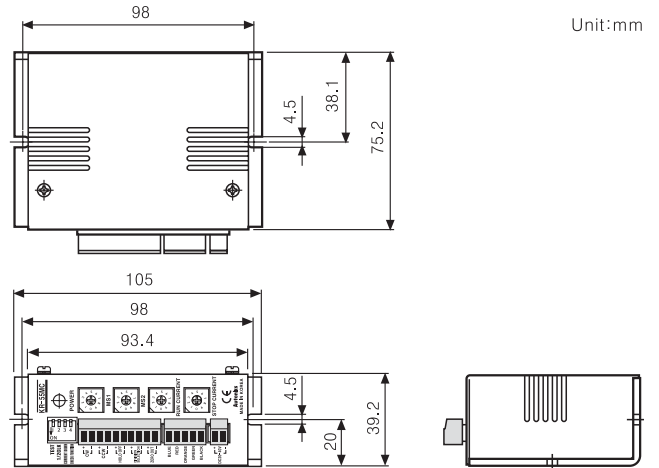
5-PHASE STEPPING MOTOR DRIVER

■ Connections

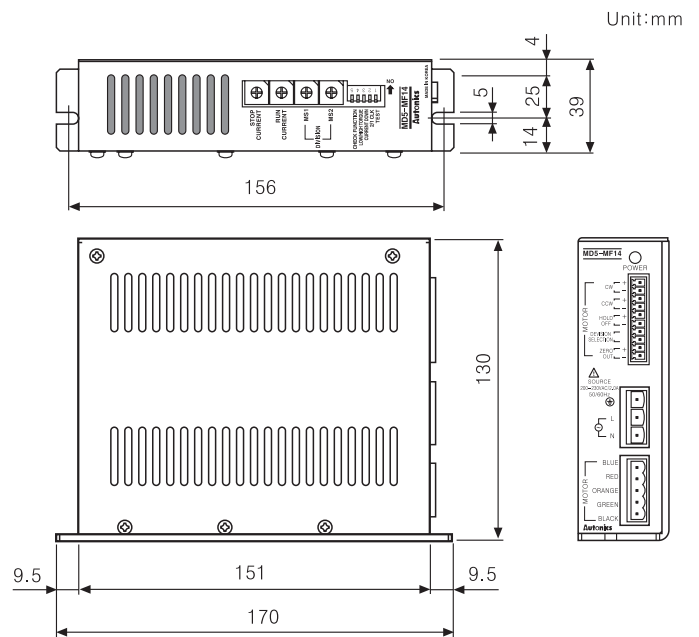
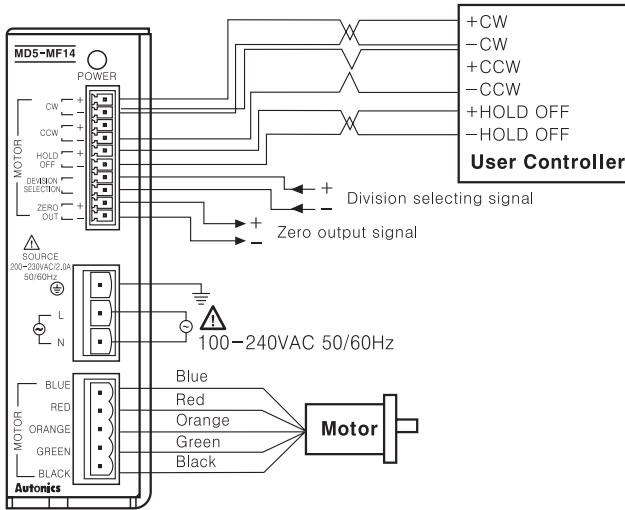
○ KR-55MC



■ Dimensions



○ MD5-MF14



○ KR-505G

