


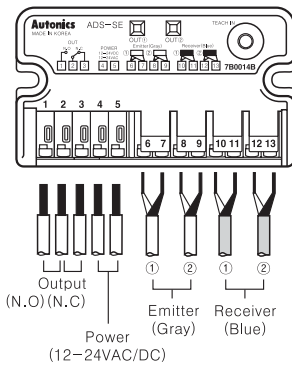
Selection Guide

DOOR SIDE SENSOR(ADS-S SERIES)

Specifications

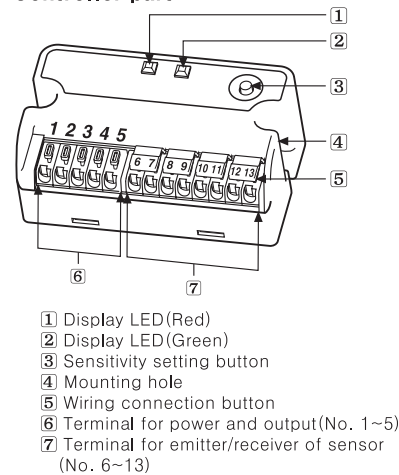
Type	Transmitted beam type
Model	ADS-SE
Appearances	 [W77×H30×L44mm]
Sensing distance	0 ~ 10m
Power supply	12V-24VAC/DC ±10% (Ripple P-P:Max. 10%)
Power/Current consumption	AC : Max. 2VA / DC : Max. 50mA
Contact output	Contact capacity : 50VDC 0.3A (Resistive load) Contact composition : 1c Relay life cycle : Mechanical - Min. 5,000,000 times, Electrical - Min. 100,000 times
Response time	Approx. 50ms (From light OFF)
Output holding time	Approx. 500ms (From light ON)
Available sensor set	2set
Indicator	Operation indicator
Light source	Infrared diode (850nm modulated)
Sensor wire length	10m

Connections

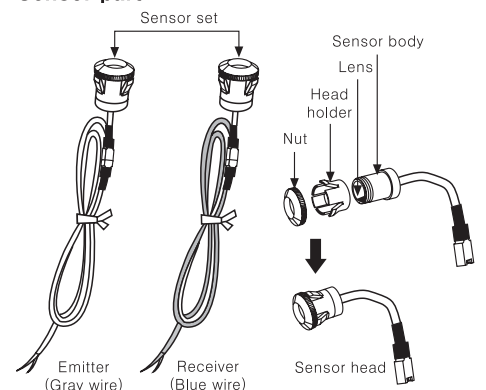


Identifications

Controller part



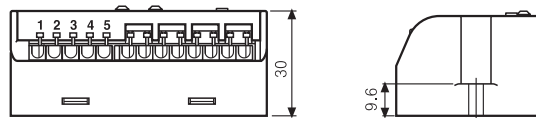
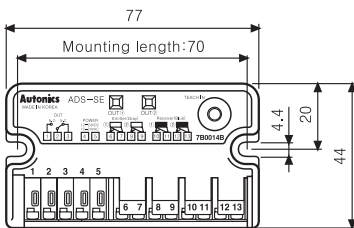
Sensor part



※ It is able to use 2 sets of the sensor with this product.
If it is necessary, purchase one more set for using.

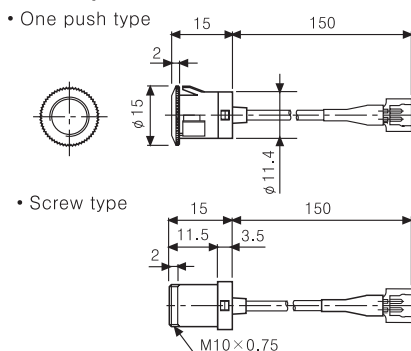
Dimensions

Controller part

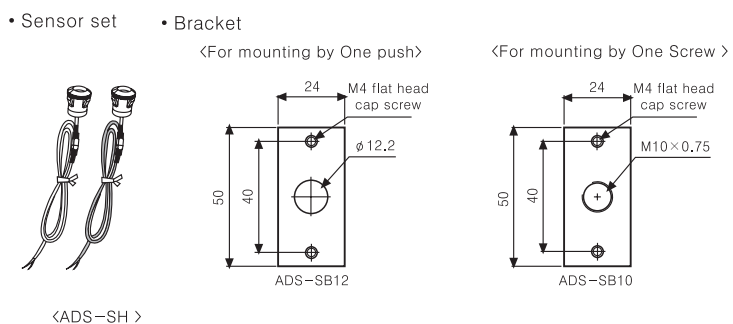


<ADS-SEC> *It is able to purchase a controller(ADS-SEC) separately.

Sensor part



Option



Unit:mm