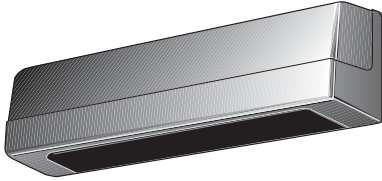


DOOR SENSOR(ADS-A SERIES)

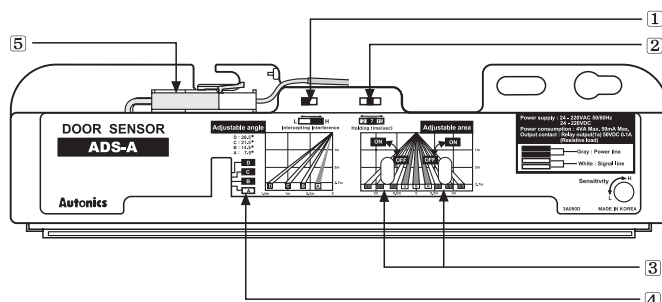
Specifications

Model	ADS-AF	ADS-AE
Appearances	 [W224×H60×L26mm]	
Cover color	Silver (Optional color : Black, White, Bronze, Glossy, Nickel)	
Power supply	24-240VAC ±10% 50/60Hz, 24-240VDC ±10% (Ripple P-P:Max. 10%)	12-24VAC ±10% 50/60Hz, 12-24VDC ±10% (Ripple P-P:Max. 10%)
Power consumption	Max. 4VA at 240VAC	Max. 2VA at 24VAC
Control output	(*1) Relay contact output [Relay contact capacity : 50VDC 0.1A (Resistive load) Relay contact composition : 1a	
Relay life cycle	Mechanical : Min. 20,000,000, Electrical : Min. 50,000	
Mounting height	2.0m ~ 2.7m (Max. sensing distance : 3m)	
Sensing method	Infrared reflection method (Direct reflective type)	
Output delay time	Time delay approx. 0.5sec.	
Output holding time	Selectable 2 / 7 / 15sec. by slide switch	
Interference prevention	H, L (Interference prevention switch)	
Front sensing area	7.5° , 14.5° , 21.5° , 28.5° : Adjust angle adjustment lever	
Adjustable sensing area	(1, 2, 3 Area), (7, 8, 9 Area) Eliminate each by each : Adjustment with switch for eliminate Right/Left sensing area	
Light source	Infrared chip diode (modulated)	
Indicator	Power is supplied : Green LED turns on, Operation : Red LED turns on	
Connection method	Connector cable type	

(*1) Do not use Load which is beyond the rated capacity of contact point of Relay.

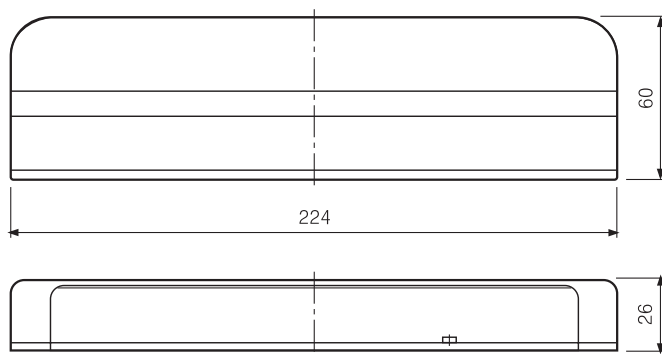
It may cause bad insulation, contact fusion, bad contact, relay breakdown and fire etc.

Parts description



- ① Interference prevention switch
- ② Holding time setting switch
- ③ Eliminate sensing area lever
- ④ Angle adjustment lever
- ⑤ Body connector

Dimensions



Unit:mm