


## PICKING SENSOR(BWPK SERIES)

### Ordering information

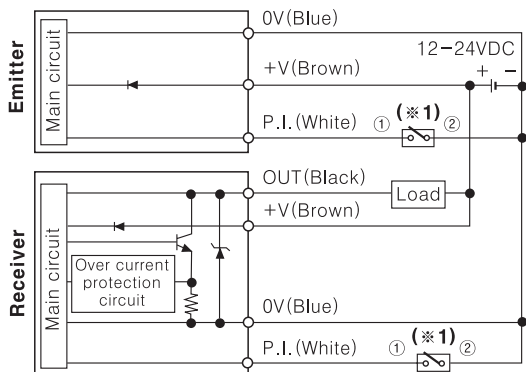
<b>BWP</b>	<b>K</b>	<b>25</b>	<b>-</b>	<b>P</b>
				Output
				P
				NPN open collector output
				PNP open collector output
Optical axis pitch		25	25mm Pitch	
Case		K	Picking	
Photoelectric sensor		BWP	Area sensor	

### Specifications

Type	Area sensor	
	Transmitted beam type	
Model	NPN open collector output	<b>BWPK-25</b>
	PNP open collector output	<b>BWPK-25P</b>
Appearances		
	[W30×H140×L9.9mm]	
Sensing distance	Long-mode	0.1 ~ 3m
	Short-mode	0.05 ~ 1m
Sensing target	Opaque materials of min. $\phi$ 35mm	
Optical axis pitch	25mm	
Number of optical axis	5 pcs	
Detecting width	100mm	
Power supply	12-24VDC $\pm$ 10% (Ripple P-P:Max. 10%)	
Protection circuit	Reverse polarity protection	
Current consumption	Emitter : Max. 50mA, Receiver : Max. 50mA	
Control output	<ul style="list-style-type: none"> <li>●NPN open collector output <math>\Rightarrow</math> Load voltage:Max. 30VDC, Load current:Max. 150mA, Residual voltage:Max. 1VDC</li> <li>●PNP open collector output <math>\Rightarrow</math> Load current:Max. 150mA, Output voltage:Min. (Power supply-2.5)VDC</li> </ul>	
Operation mode	Light ON/Dark ON	
Short-circuit protection	Built-in	
Response time	Min. 3ms	
Light source	Infrared LED(850nm modulated)	
Synchronization type	Timing method by synchronous line	
Self-diagnosis	Anti-interference by selecting transmittance frequency	

### Input/Output circuit and connection diagram

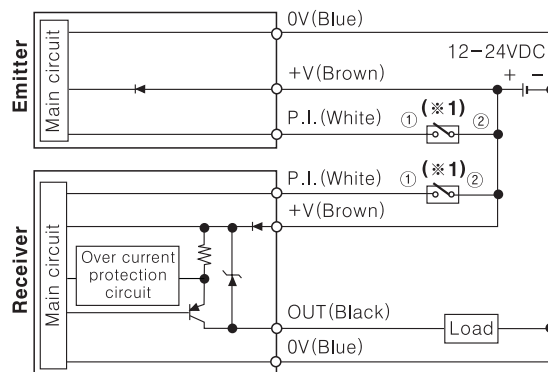
#### ●NPN open collector output type



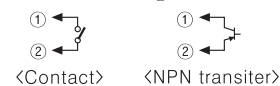
(※1) Picking input (P.I.) : Contact or transistor are ON.  
Picking indicator us operated.



#### ●PNP open collector output type



(※1) Picking input (P.I.) : Contact or transistor are ON.  
Picking indicator us operated.

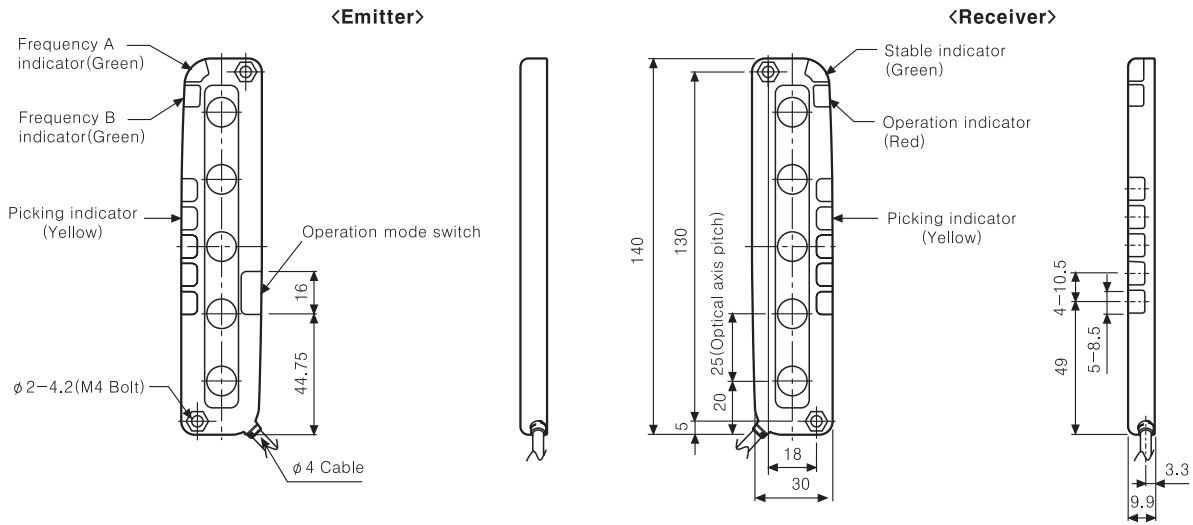


\*Picking indicator:When external picking input (P.I) is short-circuited with OUT (Black), it is operated same as ON/OFF status of control output.

# Selection Guide

## PICKING SENSOR(BWPK SERIES)

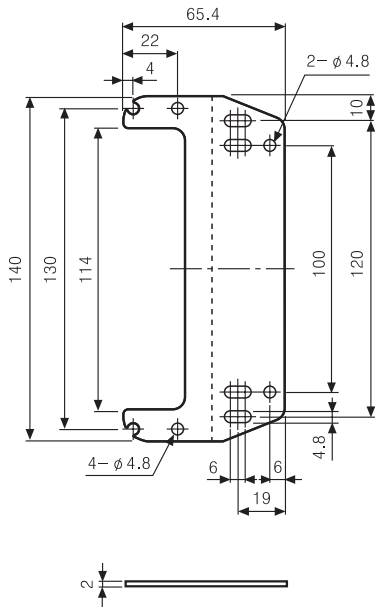
### ▣Dimensions



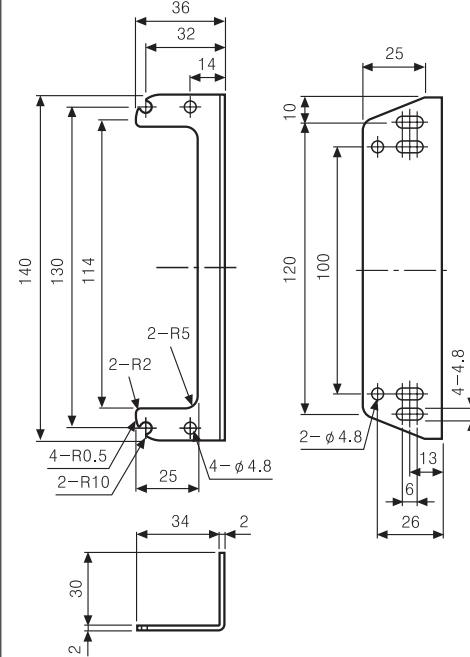
### ◎Mounting of bracket

Unit:mm

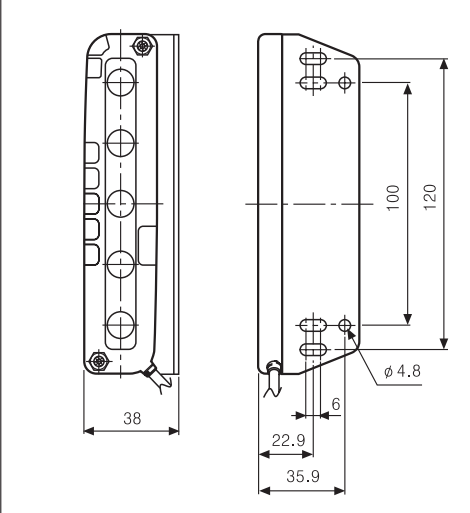
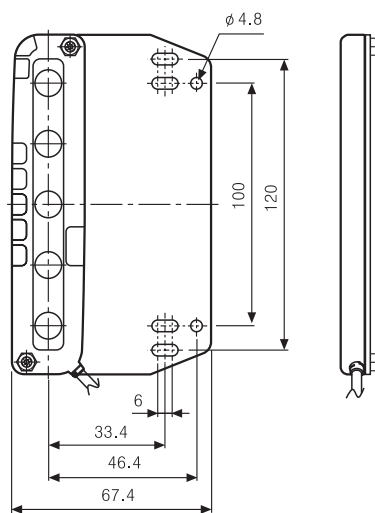
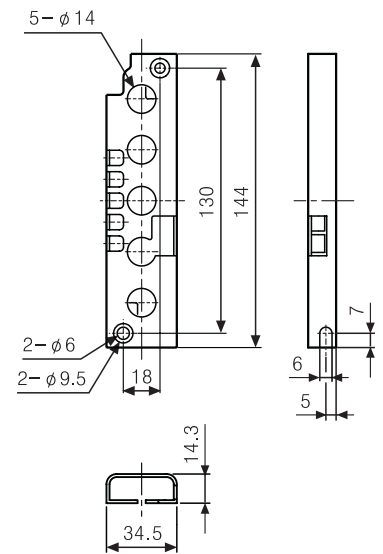
- Bracket A(BK-BWPK-ST)  
It is an option



- Bracket B(BK-BWPK-L)  
It is an option



- Protection bracket(BK-BWPK-P)  
It is an option



- Emitter / Receiver

