

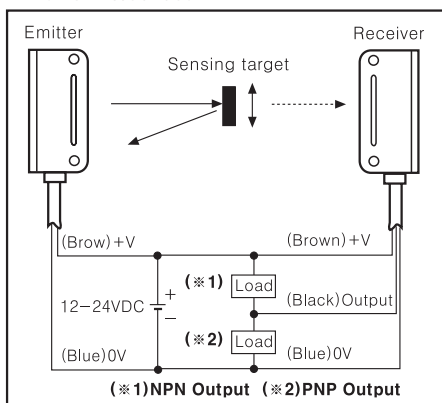
PHOTO SENSOR(BYD SERIES)

Specifications

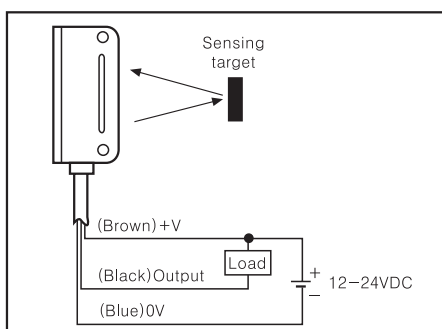
Type	Limited distance reflective		Diffuse reflective	Transmitted beam	
Model	BYD30-DDT(-U) BYD30-DDT-T	BYD50-DDT(-U) BYD50-DDT-T	BYD100-DDT	BYD3M-TDT	BYD3M-TDT-P
Appearances & Dimensions					
Sensing distance	10~30mm (50x50mm Non-glossy white paper)		100mm (50x50mm Non-glossy white paper)	3M	
Sensing target	Transparent, Translucent, Opaque materials			Opaque materials of Min. ϕ 6mm	
Hysteresis	Max. 10% at sensing distance		Max. 20% at sensing distance	—	
Response time	Operation:Max. 3ms, Return:Max. 100ms (When the timer VR is minimum)		Operation:Max. 3ms, Return:Max. 100ms	Max. 1ms	
Power supply	12~24VDC \pm 10% (Ripple P-P:Max. 10%)				
Current consumption	Max. 35mA			Max. 30mA	
Light source	Infrared LED(modulated)				
Sensitivity adjustment	—		Adjustable VR	—	
Operation mode	Light ON mode fixed			Dark ON(Light ON : Option)	
Control output	NPN open collector output \varnothing Load voltage : Max. 30VDC, Load current : Max. 50mA, Residual voltage : Max. 1V			NPN open collector output \varnothing Load voltage:Max.30VDC, Load current:Max.100mA, Residual voltage:Max.1V	PNP open collector output \varnothing Output voltage:Min. (Power supply-2.5)V, Load current:Max. 100mA
Protection circuit	Reverse polarity protection, Short-circuit protection				
Timer function	Built-in OFF delay Time : Max. 0.1 to 2sec (VR adjustable)			—	
Indicator	Operation indicator : Red LED				
Connection	Outgoing cable 2m				

Connections

Transmitted beam

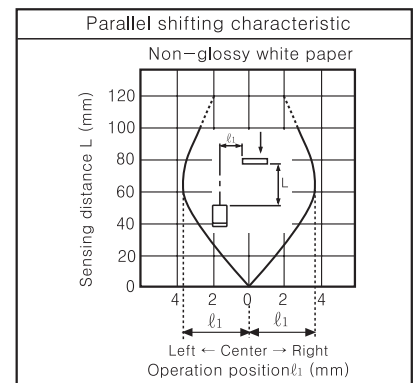
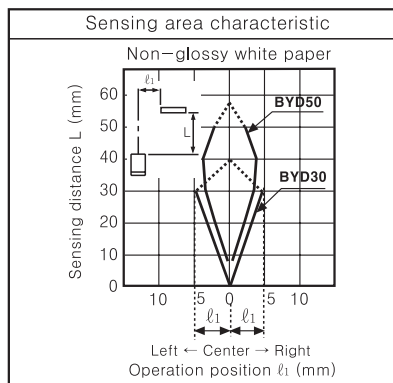


- Limited distance reflective
- Diffuse reflective



Feature data

BYD30(50)-DDT/BYD30(50)-DDT-T ●BYD100-DDT



BYD3M-TDT

