
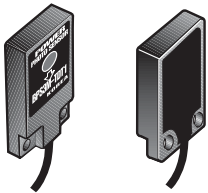
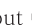



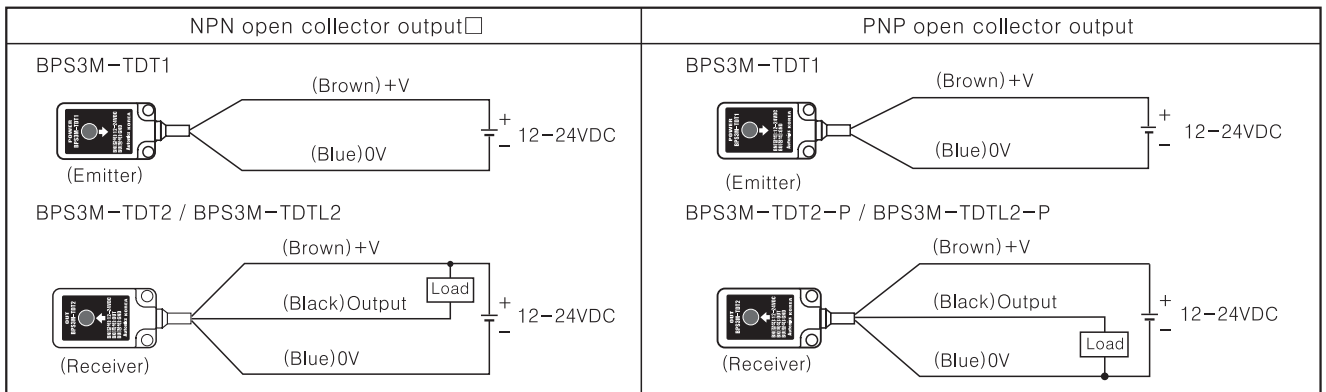
# Selection Guide

## PHOTO SENSOR(BPS SERIES)

### Specifications

Model	NPN output type		PNP output type	
	BPS3M-TDT	BPS3M-TDTL	BPS3M-TDT-P	BPS3M-TDTL-P
Appearances & Dimensions	  [W16×H7.5×L28mm]			
Sensing target	Opaque materials of Min. $\phi$ 5mm			
Operation mode	Dark ON mode	Light ON mode	Dark ON mode	Light ON mode
Sensing distance	3m			
Response time	Approx. max.1ms			
Power supply	12-24VDC $\pm$ 10% (Ripple P-P : Max. 10%)			
Current consumption	Max. 20mA			
Light source	Infrared LED(modulated)			
Control output	NPN open collector output  Load voltage : Max. 30VDC, Load current : Max. 100mA, Residual voltage : Max. 1V		PNP open collector output  Output voltage : (Min. Power supply-2.5V), Load current : Max.100mA	
Protection circuit	Reverse polarity protection, Short-circuit protection			
Indicator	Emitter:Power indicator (Red LED), Receiver:Operation indicator (Red LED) <input type="checkbox"/>			
Connection	Outgoing cable : 2m			

### Connections



### Feature data

