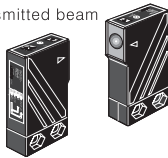
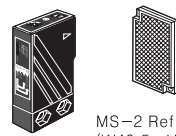



Selection Guide

PHOTO SENSOR(BMS SERIES)

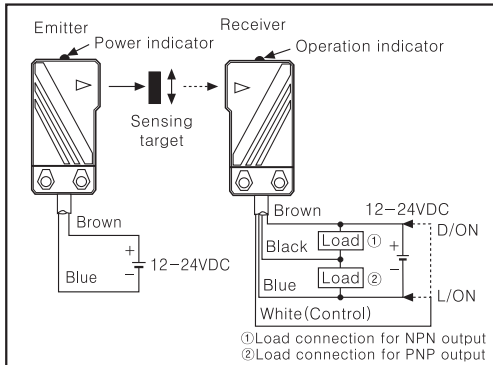
Specifications

Model	BMS5M-TDT BMS5M-TDT-P	BMS2M-MDT BMS2M-MDT-P	BMS300-DDT BMS300-DDT-P
Appearances	 [W16×H60.5×L29mm]	 MS-2 Reflector (W40.5×H60.5)	 MS-5 Reflector (W12×H24)
Type	Transmitted beam	Retroreflective	Diffuse reflective
Sensing distance	5m	(*1) 0.1 ~ 2m	300mm
Sensing target	Opaque materials of min. ϕ 10mm	Opaque materials of min. ϕ 60mm	(*2) Transparent, Translucent, Opaque materials
Hysteresis			Max. 20% at sensing distance
Response time	Max. 1ms		
Power supply	12-24VDC \pm 10% (Ripple P-P : Max. 10%)		
Current consumption	Max. 50mA	Max. 45mA	
Light source	Infrared LED(modulated)		
Sensitivity adjustment	Adjustable VR		
Operation mode	Selectable Light ON, Dark ON by control wire		
Control output	●NPN open collector output \Rightarrow Load voltage : Max. 30VDC, Load current : Max. 200mA, Residual voltage Max. 1V ●PNP open collector output \Rightarrow Output voltage : Min. (Power supply-2.5)V, Load current : Max. 200mA		
Protection circuit	Reverse polarity protection, Short-circuit protection		
Indicator	Operation indicator : Red LED, Power indicator : Red LED(BMS5M-TDT1)		
Connection	Outgoing cable 2m		

*(*1) Sensing distance between sensor and MS-2, it is the same when using MS-5 and it is able to detect under 0.1m.
 *(*2) It is for Non-glossy white paper (100×100mm)

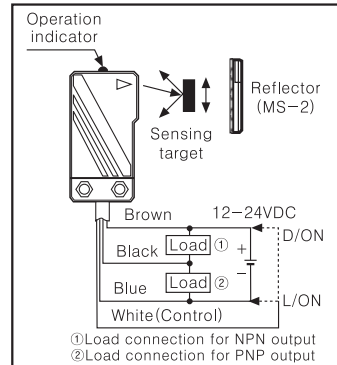
Connections

●BMS5M-TDT, BMS5M-TDT-P

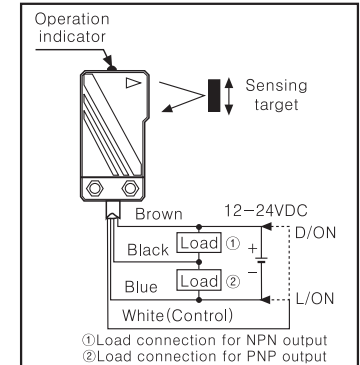


*Dark ON mode is on when control line is opened.

●BMS2M-MDT, BMS2M-MDT-P

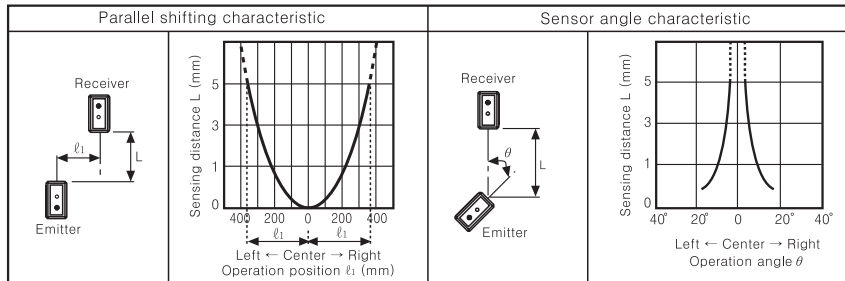


●BMS300-DDT, BMS300-DDT-P

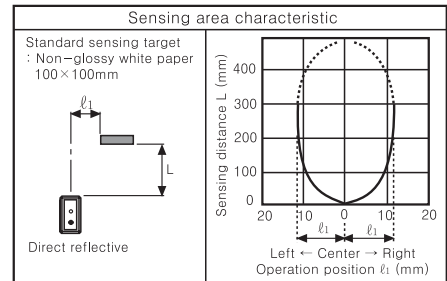


Feature data

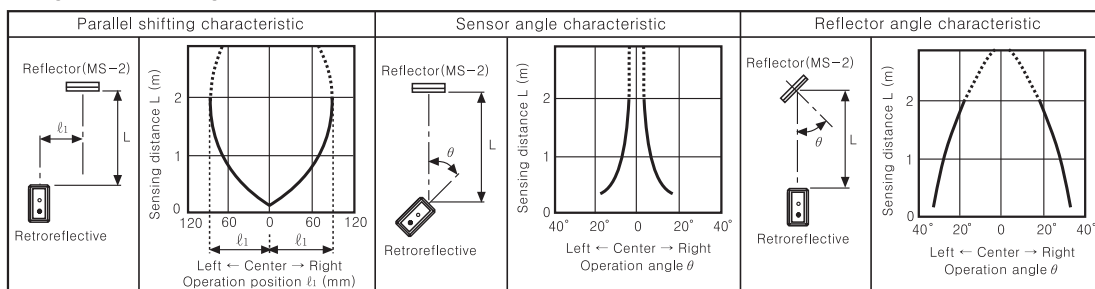
●BMS5M-TDT ●BMS5M-TDT-P



●BMS300-DDT ●BMS300-DDT-P



●BMS2M-MDT ●BMS2M-MDT-P



— : Operation level
 : Stable operation level