

Selection Guide

POWER CONTROLLER(SPC1 SERIES)

Ordering information

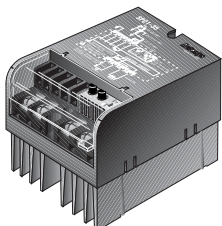
SPC 1 - 35

Rated current

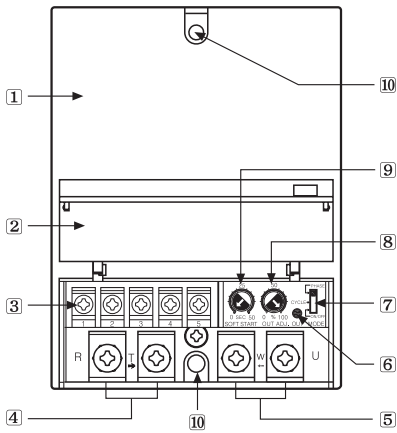
35	35A
50	50A
1	Single phase
3	3 phases
SPC	Series name(Solid state Power Controller)

*3 phases is currently being developed.

Specifications

Type	Power controller	
Model	SPC1-35	SPC1-50
Appearances & Dimensions	 [W94.6×H124.8×L92mm]	
Power supply	220VAC 50/60Hz	
Allowable operating voltage	90 to 110% of power supply	
Maximum rated current	35A(Single phase)	50A(Single phase)
Control power	220VAC	
Control range	0 to 100% (Except for triac voltage down)	
Applied load	Resistance load (Min. load: over 5% of rated current)	
Control input	• 1-5VDC • 4-20mADC (250Ω) • ON/OFF (External connect point) • External VR (1kΩ) • Output limit input (Inner VR)	
Control type	Phase control	
By selection S/W	Cycle control (ZERO CROSS) – Selectable period 0.5sec, 2.0, 10sec	
	ON/OFF control (ZERO CROSS)	
Starting type	SOFT START (Variable 0 to 50 sec.) – Only for phase control and cycle control	
Display	Output indication LED	

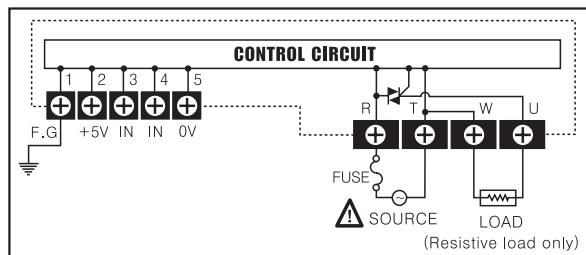
Front panel identification



- 1 Case
- 2 Terminal block cover
- 3 Terminal block for control input
- 4 Terminal block for connecting power
- 5 Terminal block for connecting load
- 6 The LED display of output
- 7 Selection S/W of control mode
- 8 The volume of OUT ADJ.
- 9 The volume of SOFT START
- 10 The hole for fixing on panel
(Bolt size: M4×50)

Connections

External connection



4-20mADC control input

It controls 0 to 100% when you apply 4 to 20mADC on ④, ⑤ terminals when power is applied.

1-5VDC control input

It controls 0 to 100% when you apply 1 to 5VDC on ③, ⑤ terminals when power is applied.

ON/OFF external contact control input

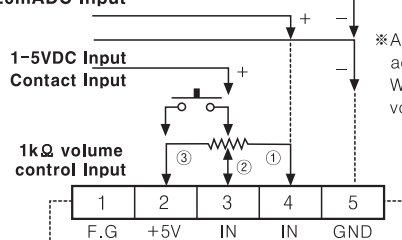
It controls 100% if you connect External S/W or relay contact to ②, ③ terminal when it is ON, it controls 0% when it is OFF.

1kΩ volume control input

After power is applied, connecting the external volume 1kΩ to ②, ③ and ④ terminals and turning VR control from 0% to 100%.

Connection of control input terminals

4-20mADC Input



* Able to control the output with using Out ADJ. according to above control method. When do not use Out ADJ. function please set volume as 100%.