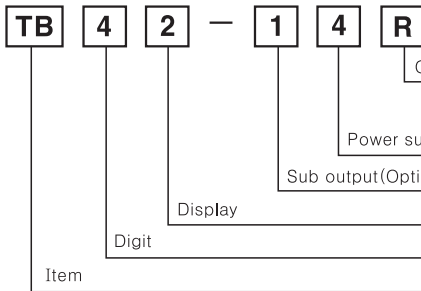


TEMPERATURE CONTROLLER(BOARD TYPE)

Ordering information



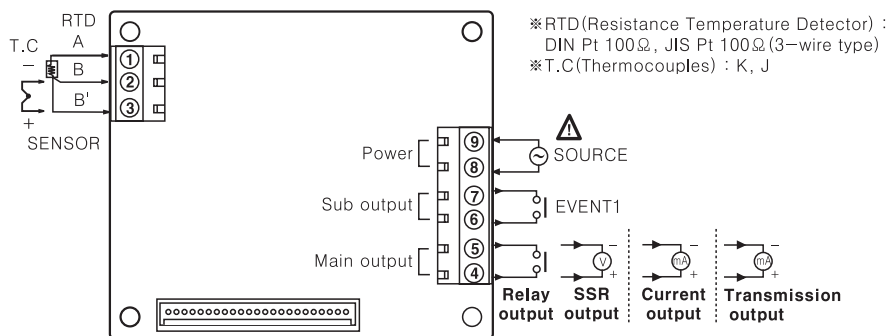
R	Relay output
S	SSR output
C	Current output(4~20mADC)
N	PV Transmission output(4~20mADC)
4	100~240VAC 50/60Hz
1	EVENT1 output type
2	Dual display type
4	4 Digit
TB	Temperature Board

*Transmission output type does not have EVENT1 output.

Specifications

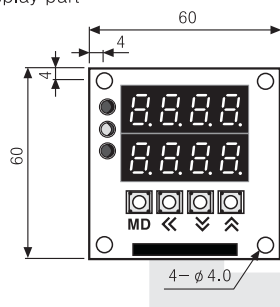
Model	TB42	
Appearances & Dimensions	<p>[Display board : W60×H60mm] [Control board : W65×H78mm]</p>	
Features	<ul style="list-style-type: none"> • High quality and economical type • Convenient to install at any user's applications • Display board size can be changed by option 	
Power supply	100~240VAC 50/60Hz(90 ~ 110% of power supply)	
Power consumption	Approx. max. 5VA	
Display method	7 Segment LED Display [Processing value(PV):Green, Setting value(SV):Red]	
Character size	W8×H10mm	
Input	Thermocouple(T.C)	K(CA), J(IC) [Tolerance outer resistive is max. 100Ω]
	RTD	Pt100Ω, JIS Pt100Ω [Allowable line resistance is max. 5Ω per a wire]
	Relay	250VAC 3A 1a
Control output	SSR	12VDC ±3V 30mA Max.
	Current	4~20mADC(Load max. 600Ω)
Control method	ON/OFF control, P, PI, PD, PIDF, PIDS	
Transmission output	4~20mADC, load Max. 600Ω for PV	
Sub output	• Event1 output : Relay output(250VAC 0.5A 1a) • Event2 output : OK monitoring display by LED	
Setting type	Front push buttons	
Display accuracy	F.S ±0.5% rdg ±1 Digit based on SV or 3℃ Max.	
Hysteresis	Adjustable 1 ~ 100℃(0.1 ~ 100.0℃) at ON/OFF control	
Proportional band(P)	0.0 ~ 100.0%	
Integral time(I)	0 ~ 3600sec	
Derivative time(D)	0 ~ 3600sec	
Control cycle(T)	1 ~ 120sec	
Sampling time	0.5sec fixed	

Connections

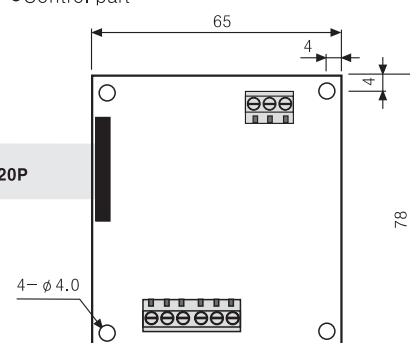


Dimensions

●Display part



●Control part



*Cable length is 300mm.
*The size of board is based on user's application.

Unit : mm