

Selection Guide


5POINT INPUT TEMPERATURE INDICATOR

Ordering information

T	4	W	M	-	N	3	N	P	4	C
								C	°C	
								0	-99.9~199.9	
								4	0~399	
								5	0~500	
								C	0~1200	
								P	Pt100Ω	
								J	J(IC)	
								K	K(CA)	
								N	No output	
								3	110/220VAC 50/60Hz	
								N	No control function	
								M	5 Point Indicator	
								W	DIN W96×H48mm	
								4	4 Digit	
								T	Temperature	

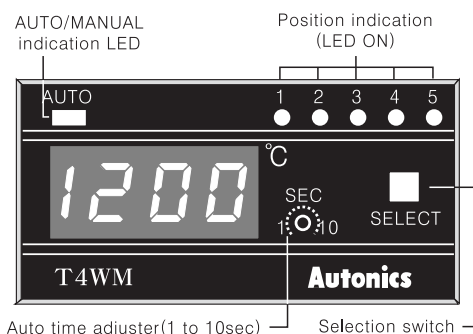
※ Please check the range of temperature when selecting a model.

Specifications

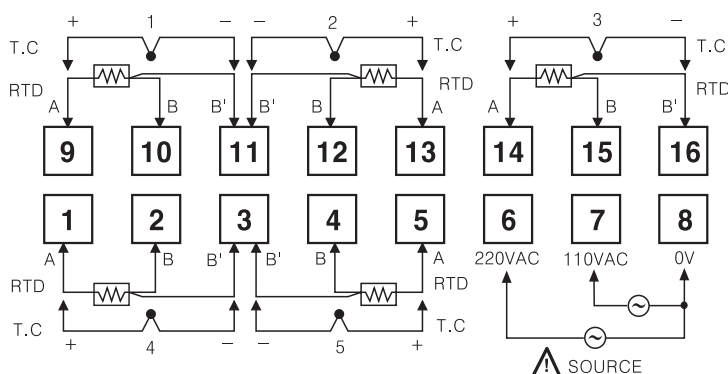
Model	T4WM
Appearances & Dimensions	 [W96×H48×L99.6mm]
Power supply	110/220VAC 50/60Hz
Allowable voltage range	90 ~ 110% of power supply
Power consumption	3VA
Display method	7Segment LED Display
Character size	W9.8×H14.2mm
Display accuracy	F · S ±0.5% rdg ±1digit
Input sensor	• T.C(Thermocouples) : K(CA), J(IC) • RTD : Pt100Ω
Input line resistance	• T.C(Thermocouples) : Max. 100Ω • RTD : Max. 5Ω per a wire
Available sensor quantity	• T.C(Thermocouples) : Max. 5pcs • RTD : Max. 5pcs

※ 7 point of temperature display and alarm function.
7 point of temperature display and communication output function.

Front panel identification



Connections



Temperature range for each sensor

Model	T4WM		
	T.C(Thermocouples)		RTD
Sensor input type	J(IC)	K(CA)	Pt100Ω
(°C/°F)			
Standard scale range	500°C	1200°C	-99.9°C, 399°C

※ RTD(Resistance Temperature Detector) : Pt 100Ω (3-wire type)
※ T.C(Thermocouples) : K, J