

TEMPERATURE CONTROLLER(ALARM OUTPUT/DUAL SETTING)

Ordering information

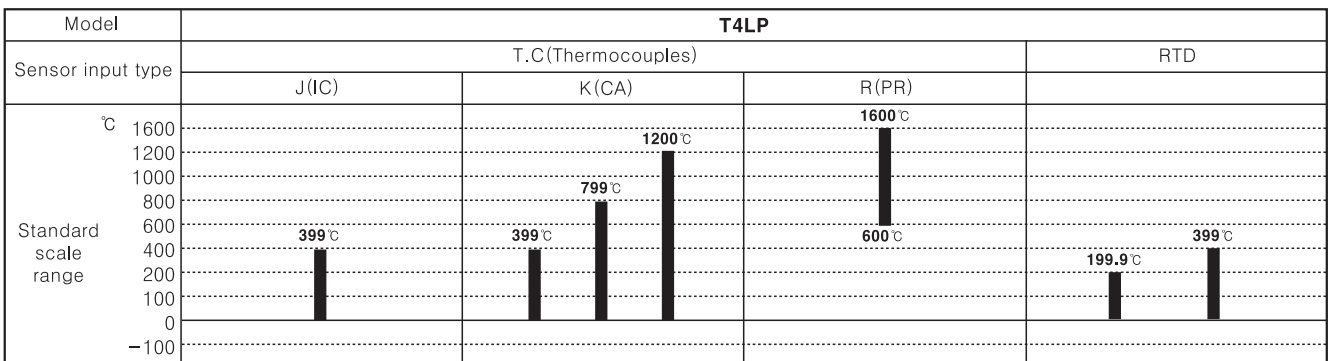
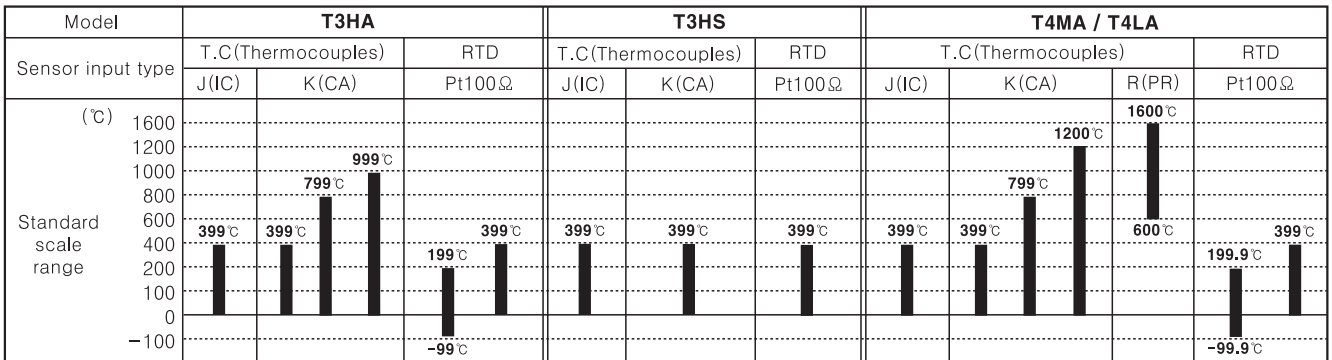
T	3	H	A	-	B	3	R	P	4	C														
<table border="1" style="width: 100%; border-collapse: collapse;"> <tr><td>C</td><td>℃</td></tr> <tr><td>0</td><td>-99~199, -99.9~199.9</td></tr> <tr><td>4</td><td>0~399</td></tr> <tr><td>8</td><td>0~799</td></tr> <tr><td>A</td><td>0~999</td></tr> <tr><td>C</td><td>0~1200</td></tr> <tr><td>F</td><td>600~1600</td></tr> </table>											C	℃	0	-99~199, -99.9~199.9	4	0~399	8	0~799	A	0~999	C	0~1200	F	600~1600
C	℃																							
0	-99~199, -99.9~199.9																							
4	0~399																							
8	0~799																							
A	0~999																							
C	0~1200																							
F	600~1600																							
<table border="1" style="width: 100%; border-collapse: collapse;"> <tr><td>P</td><td>Pt100Ω</td></tr> <tr><td>J</td><td>J(IC)</td></tr> <tr><td>K</td><td>K(CA)</td></tr> <tr><td>R</td><td>R(PR) (*1)</td></tr> </table>											P	Pt100Ω	J	J(IC)	K	K(CA)	R	R(PR) (*1)						
P	Pt100Ω																							
J	J(IC)																							
K	K(CA)																							
R	R(PR) (*1)																							
<table border="1" style="width: 100%; border-collapse: collapse;"> <tr><td>R</td><td>Relay output</td></tr> <tr><td>S</td><td>SSR output</td></tr> <tr><td>C</td><td>Current output(4~20mADC)</td></tr> </table>											R	Relay output	S	SSR output	C	Current output(4~20mADC)								
R	Relay output																							
S	SSR output																							
C	Current output(4~20mADC)																							
<table border="1" style="width: 100%; border-collapse: collapse;"> <tr><td>3</td><td>110/220VAC 50/60Hz</td></tr> </table>											3	110/220VAC 50/60Hz												
3	110/220VAC 50/60Hz																							
<table border="1" style="width: 100%; border-collapse: collapse;"> <tr><td>B</td><td>ON/OFF, Proportional control</td></tr> </table>											B	ON/OFF, Proportional control												
B	ON/OFF, Proportional control																							
<table border="1" style="width: 100%; border-collapse: collapse;"> <tr><td>A</td><td>Alarm output(High • Low)</td></tr> <tr><td>S</td><td>SUB output</td></tr> <tr><td>P</td><td>Dual switch setting type (*2)</td></tr> </table>											A	Alarm output(High • Low)	S	SUB output	P	Dual switch setting type (*2)								
A	Alarm output(High • Low)																							
S	SUB output																							
P	Dual switch setting type (*2)																							
<table border="1" style="width: 100%; border-collapse: collapse;"> <tr><td>H</td><td>DIN W48×H96mm</td></tr> <tr><td>M</td><td>DIN W72×H72mm</td></tr> <tr><td>L</td><td>DIN W96×H96mm</td></tr> </table>											H	DIN W48×H96mm	M	DIN W72×H72mm	L	DIN W96×H96mm								
H	DIN W48×H96mm																							
M	DIN W72×H72mm																							
L	DIN W96×H96mm																							
<table border="1" style="width: 100%; border-collapse: collapse;"> <tr><td>3</td><td>3 Digit</td></tr> <tr><td>4</td><td>4 Digit</td></tr> </table>											3	3 Digit	4	4 Digit										
3	3 Digit																							
4	4 Digit																							
<table border="1" style="width: 100%; border-collapse: collapse;"> <tr><td>T</td><td>Temperature</td></tr> </table>											T	Temperature												
T	Temperature																							

(*1)Only for T4MA/ T4LA/ T4LP Type

(*2)Only for T4LP Type

*Please check the range of temperature when selecting a model.

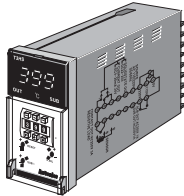
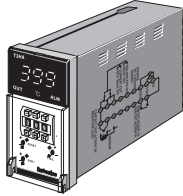
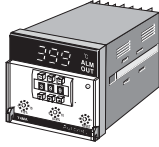
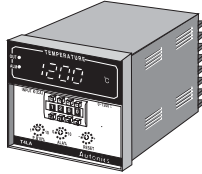
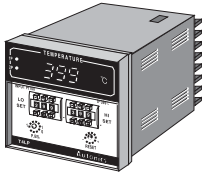
Temperature range for each sensor



Selection Guide

TEMPERATURE CONTROLLER(ALARM OUTPUT/DUAL SETTING)

Specifications

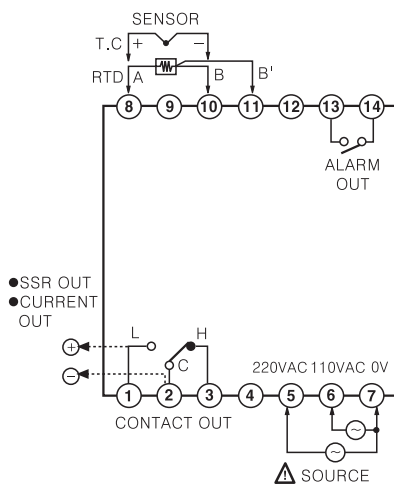
Model	T3HS	T3HA	T4MA	T4LA	T4LP
Appearances & Dimensions	 [W48×H96×L146mm]	 [W48×H96×L146mm]	 [W72×H72×L125mm]	 [W96×H96×L118mm]	 [W96×H96×L118mm] *Dual setting type
Power supply	110/220VAC 50/60Hz				
Allowable voltage range	90 ~ 110% of power supply				
Power consumption	3VA				
Display method	7Segment LED Display				
Character size	W6×H10mm		W7.2×H9.8mm		W9.5×H14.2mm
Display accuracy	F · S ± 0.5% rdg ± 1digit				
Setting type	Digital switch setting				
Setting accuracy	F · S ± 0.5%				
Sensor input	T.C(Thermocouples) : K(CA), J(IC), R(PR) / RTD : Pt100Ω				
Input line resistance	T.C(Thermocouples) : Max. 100Ω, RTD : Max. 5Ω per a wire				
Control	ON/OFF	Hysteresis : F · S 0.2 ~ ± 3%			
	Proportional	Proportional band : F · S 1 ~ 10% Variable, Period : 20sec. fixed □			
Alarm output	SUB	SUB : 0 ~ -50℃			
	Alarm	(Note) ALARM : F · S 0 ~ 10%			
Reset VR range	F · S ± 3%(Only for control deviation)				
Control output	<ul style="list-style-type: none"> Relay contact output : 250VAC 3A 1c SSR output : 24VDC ± 3V 20mA Max. Current output : 4~20mA DC Load 600Ω Max. 				<ul style="list-style-type: none"> 1st output : 250VAC 3A 1c 2nd out : 250VAC 1A 1c
	SUB OUT : 250VAC 1A 1a	ALARM OUT : 250VAC 1A 1a	ALARM OUT : 250VAC 1A 1a	ALARM OUT : 250VAC 1A 1c	
Self-diagnosis	Includes burn out function				

* **(Note)** The range of Alarm full scale(F.S) is from 0° ~ maximum using temperature.
Ex) In case of using temperature is from -99 ~ 199℃, Full scale is 199℃.

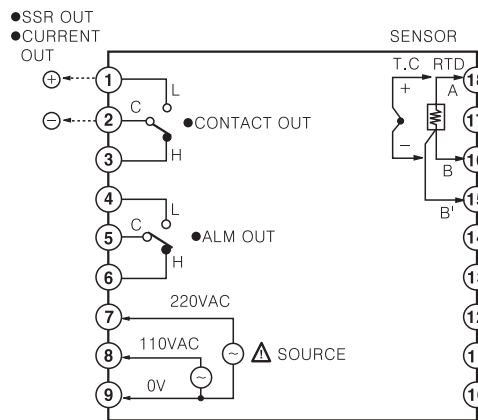
Connections

* RTD(Resistance Temperature Detector) : Pt 100Ω (3-wire type) * T.C(Thermocouples) : K, J, R

●T4MA



●T4LA, T4LP



●T3HA, T3HS

