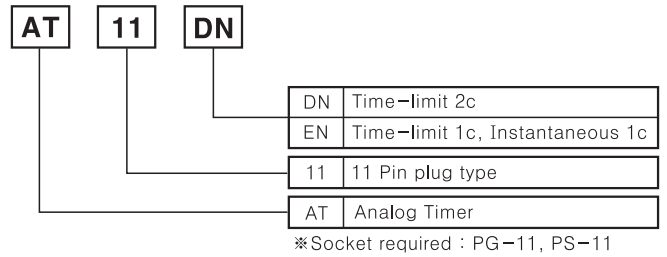
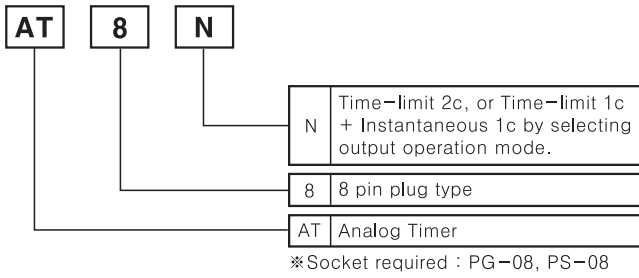





## ANALOG TIMER

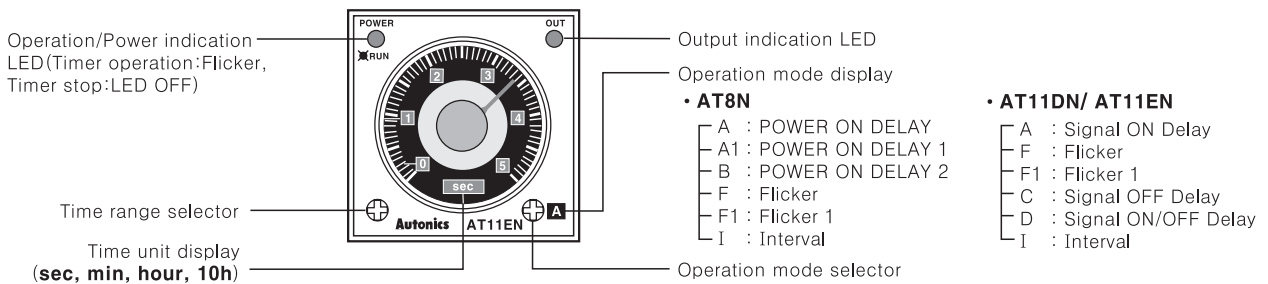
### Ordering information



### Specifications

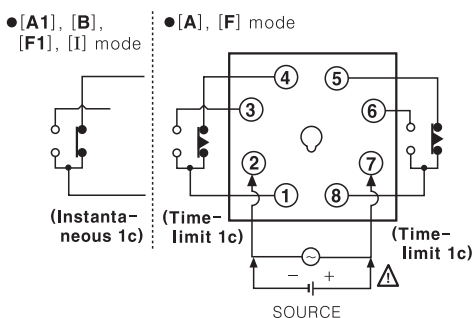
Type	Multi Timer		
Model	AT8N	AT11DN	AT11EN
Appearances & Dimensions	 [W48×H48×L65mm]	 [W48×H48×L65mm]	 [W48×H48×L65mm]
Operation	Multi time range, Power on delay function	Multi time range, Multi function	
Power supply	24-240VAC 50/60Hz / 24-240VDC, 12VDC (Option) [90~110% of power supply]		
Input	START input	POWER ON	
	INHIBIT input	—————	
	RESET input	POWER OFF	
Control output	Contact type	Time-limit 2c	Time-limit 1c, Instantaneous 1c
	Contact capacity	250VAC 3A resistive load	NO : 250VAC 3A resistive load NC : 250VAC 2A resistive load
Repeat error	Max. ±0.3%		
Setting error	Max. ±5% ±0.05sec		
Voltage error	Max. ±0.5%		
Temperature error	Max. ±2%		

### Front panel identification

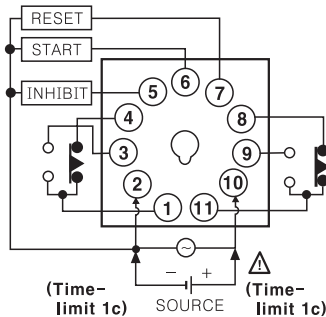


### Connections

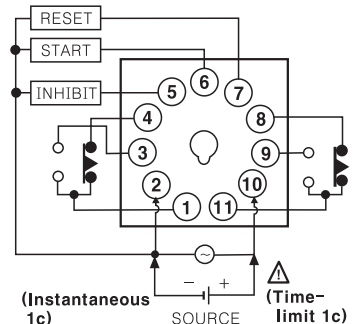
#### AT8N



#### AT11DN



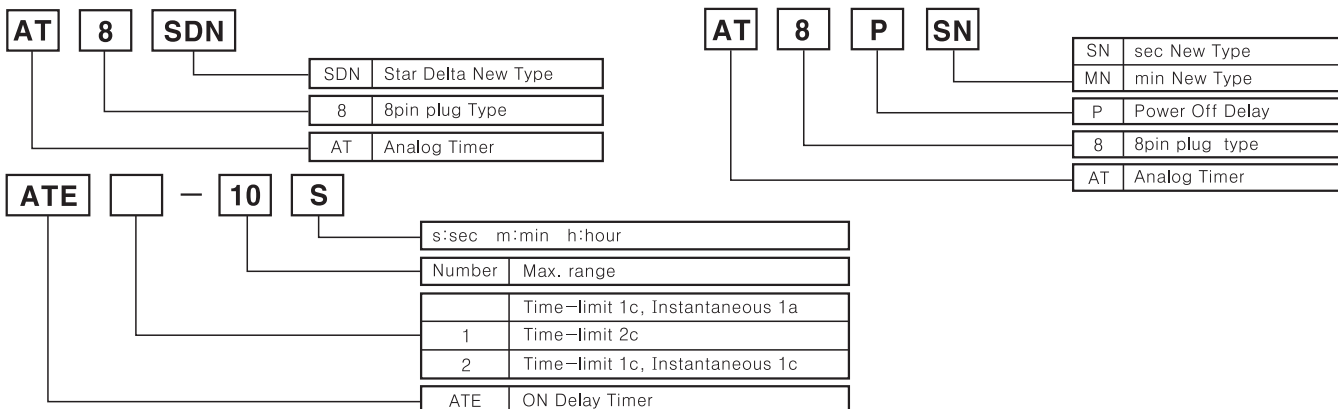
#### AT11EN



# Selection Guide

## ANALOG TIMER

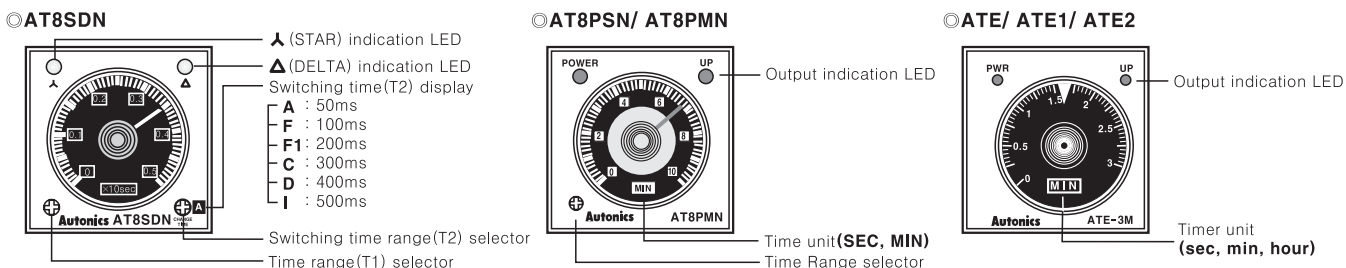
### Ordering information



### Specifications

Type	Star delta timer	OFF Delay timer	Single range timer		
Model	AT8SDN	AT8PSN / AT8PMN	ATE-sec, min, hour	ATE1-sec, min, hour	ATE2-sec, min, hour
Appearances & Dimensions	[W48×H48×L65mm]	[W48×H48×L65mm]	[W48×H48×L65mm]	[W48×H48×L79mm]	[W48×H48×L79mm]
Function	Star-Delta TIMER	Power OFF Delay	Power ON Delay		
Control time setting range	0.5sec~100sec (Max. time)	AT8PSN : 0.5, 1, 5, 10sec AT8PMN : 0.5, 1, 5, 10min	1sec, 3sec, 6sec, 10sec, 30sec, 60sec, 3min, 6min, 10min, 30min, 60min, 3hour, 6hour, 12hour, 24hour		
Power supply	24~240VAC 50/60Hz / 24~240VDC, 12VDC (Option)	• 100~120VAC 50/60Hz • 100/110VDC • 48VDC • 200~240VAC 50/60Hz • 24VDC	110/220VAC 50/60Hz	110VAC, 220VAC 50/60Hz, 12VDC, 24VDC (Option)	
Allowable voltage range□	90 ~ 110% of power supply				
Power consumption	Approx. 4VA (240VAC 60Hz), Approx. 1.3W (240VDC), Approx. 0.5W (12VDC)	• Approx. 0.5VA (120VAC 60Hz), Approx. 0.9VA (240VAC 60Hz) • Approx. 0.5W (110VDC), Approx. 0.2W (48VDC), Approx. 0.1W (24VDC)	Approx. 10VA (240VAC 60Hz), Approx. 2W (24VDC, 12VDC)		
Return time□	Max. 100ms		Max. 200ms		
Control output	Contact type ▲ contact : SPST (1a), △ contact : SPST (1a)	Time-limit DPDT (2c)	Time-limit SPDT (1c), Instantaneous SPST (1a)	Time-limit DPDT (2c)	Time-limit SPDT (1c), Instantaneous SPST (1c)
Relay life cycle	Mechanical: Min. 10,000,000 times Electrical: Min. 100,000 times (250VAC 3A resistive load)				
Repeat error	Max. ±0.3%				
Setting error	Max. ±5% ±0.05sec.				
Voltage error	Max. ±0.5%				
Temperature error	Max. ±2%				

### Front panel identification



### Connections

