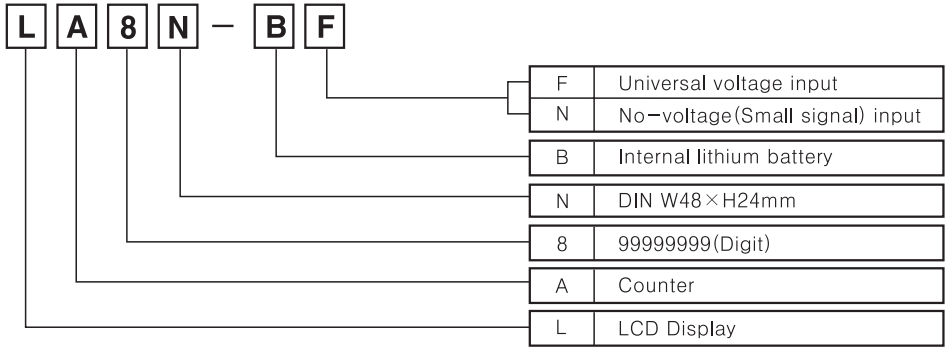


Selection Guide

LA8N SERIES(LCD MINIATURE COUNTER)

Ordering information



Specifications

Model	LA8N-BN	LA8N-BF
Digit	8	
Appearances & Dimensions	<div style="text-align: right; border: 1px solid black; padding: 2px;">NEW</div>	
Display	LCD Zero Blanking type (Height : 8.7mm)	
Operation method	Count up mode	
Power supply	Internal lithium battery	
Input type	No-voltage input	Universal voltage input
Counting speed	Selectable 1cps / 30cps / 1kcps	20cps
Count input	Residual voltage at short-circuit : Max. 0.5V	Start : 24-240VAC / 6-24VDC Hold : 0-2VAC / 0-2.4VDC
Reset input	No-voltage input	
Min. signal width of Reset	Min. 20ms	
Battery life cycle	Over 7 years (at 20°C)	
External switch	SW1 (★1), SW2 (★2)	SW1 (★1)
Insulation resistance	Min. 100MΩ (at 500VDC)	
Dielectric strength	(★3) 2000VAC 60Hz for 1 minute	
Vibration	Mechanical	0.75mm amplitude at frequency of 10 ~ 55Hz in each of X, Y, Z directions for 1 hour
	Malfunction	0.3mm amplitude at frequency of 10 ~ 55Hz in each of X, Y, Z directions for 10 minutes
Shock	Mechanical	300m/s ² (Approx. 30G) in X, Y, Z directions for 3 times
	Malfunction	100m/s ² (Approx. 10G) in X, Y, Z directions for 3 times
Ambient Temperature	-10 ~ +55°C (at non-freezing status)	
Storage Temperature	-25 ~ +65°C (at non-freezing status)	
Ambient humidity	35 ~ 85%RH	

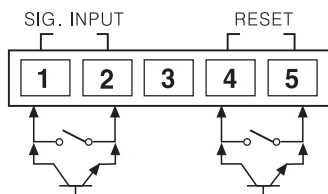
(★1) SW1 is a switch ENABLE/DISABLE the front RESET.

(★2) SW2 is a switch setting counting speed.

(★3) No-voltage input: Between all terminals and case, Universal voltage input: Between input terminal and reset input terminal, all terminals and case

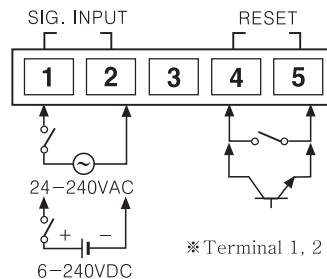
Connections

No-voltage input



※ Use reliable contacts enough to flow 10μA of current.
 ※ Terminal 2 and 5 are connected inside. (Non-isolation)

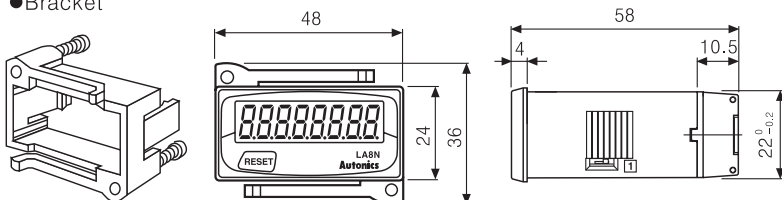
Universal voltage input



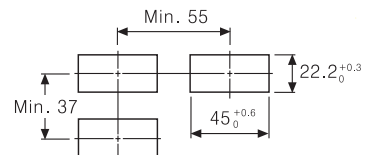
※ Terminal 1, 2 and 4, 5 are isolated.

Dimensions

Bracket



Panel cut-out



Unit:mm